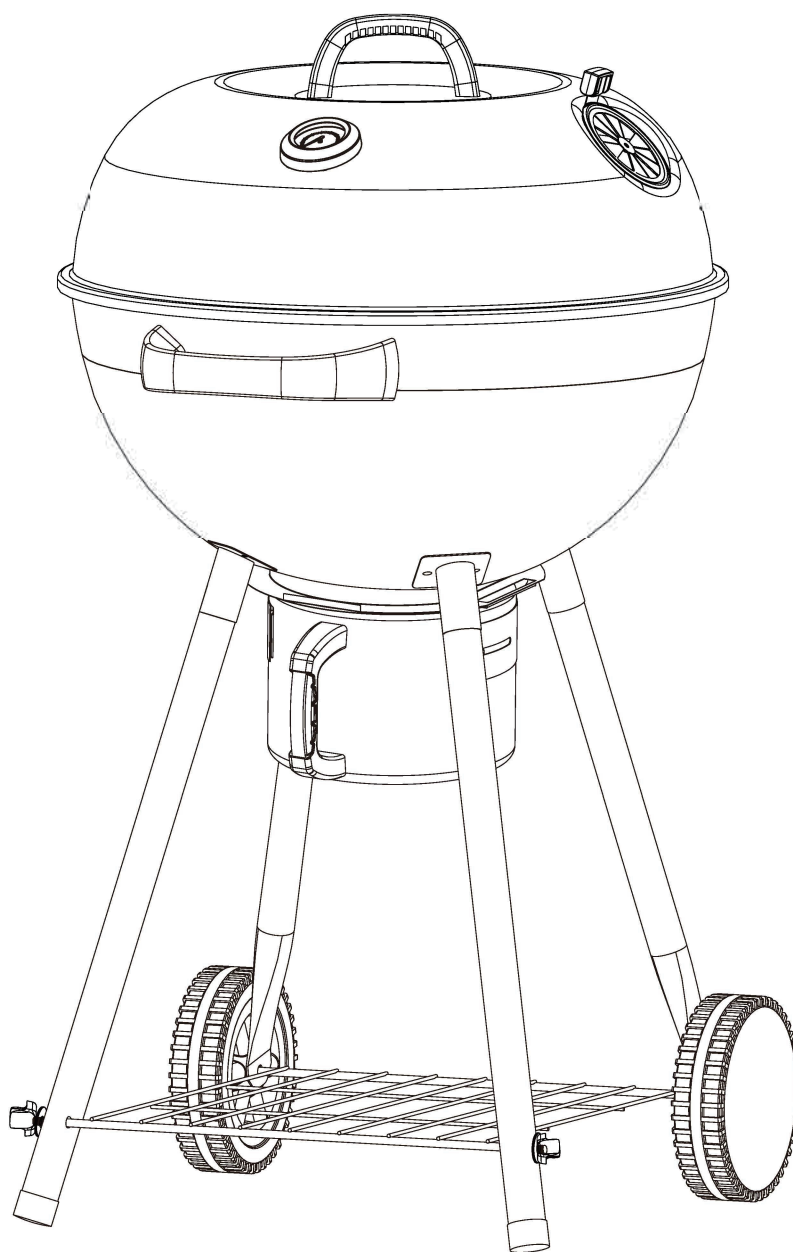


# Master Cook

## Deluxe Kettle BBQ

PLU: 154732

Item NO.:SRCG13003&SRCG13004



---

## SAFETY INSTRUCTIONS

---

### **Read the operating instructions carefully before use!**

Save them for future reference.

### **WARNING:**

The barbecue gets very hot, do not move it when it is lit.

This appliance should be kept away from artificial grass, decking tiles, garden furniture, wooden fences or any flammable product.

Do not use the barbecue indoors.

Do not use alcohol or petrol to light the barbecue. Do not spray flammable liquid over the charcoal, or briquettes that have already been lit. Only use firelighters compatible with EN 1860-3.

Keep children and pets at a safe distance from the barbecue.

### **Other safety instructions**

Never use water to control or extinguish the flames.

Put the lid on and close the air valves when you have finished grilling.

Wear grill gloves to avoid burn injuries when grilling.

Do not throw hot charcoal, or briquettes, into rubbish bins; or where its exposed to bare feet, or could start a fire. Make sure briquettes are completely extinguished before discarding them.

Do not put the barbecue away, in your garden shed for example, before its completely gone out.

Keep flammable liquids and pressure containers at a safe distance from the barbecue area.

When using electric lighters, make sure to keep their cables well away from the hot surfaces on the barbecue.

The barbecue is not intended to be used as a heater, and must never be used indoors under any circumstances.

Clean the barbecue at regular intervals to ensure that it keeps on working properly.

Place the barbecue on a firm and level surface before using it. Place the barbecue at a distance of at least 3 metres from any trees or combustible material.

Only use charcoal and briquettes for grilling.

NOTE: Always put the briquettes/charcoal on the charcoal grille in the bottom of the barbecue. Otherwise there is a risk of damaging the barbecue. Do not overload with too much charcoal/briquettes, one layer is enough.

Check that the charcoal is red-hot before grilling, it takes at least 30 minutes. Start grilling when the briquettes/charcoal have a uniform red-hot glow with a thin crust of grey ash over them.

The product is not intended for commercial use.

Do not use petrol, paraffin, alcohol or the like to light the barbecue.

Do not use the barbecue near easily combustible materials.

Never modify the product in any way.

Do not use the product if it has not been assembled correctly and all parts tightened.

Never touch the charcoal grate, grill rack, ash or charcoal to feel whether they are hot.

Do not use the product on wooden decking or other combustible surfaces.

Do not use the product in boats or recreational vehicles.

Place the barbecue so that the wind cannot blow embers towards flammable surfaces or objects.

Do not use the product in strong winds.

Never lean over the barbecue when lighting.

Never leave the product unattended when it is lit. Keep children and pets at a safe distance from the product.

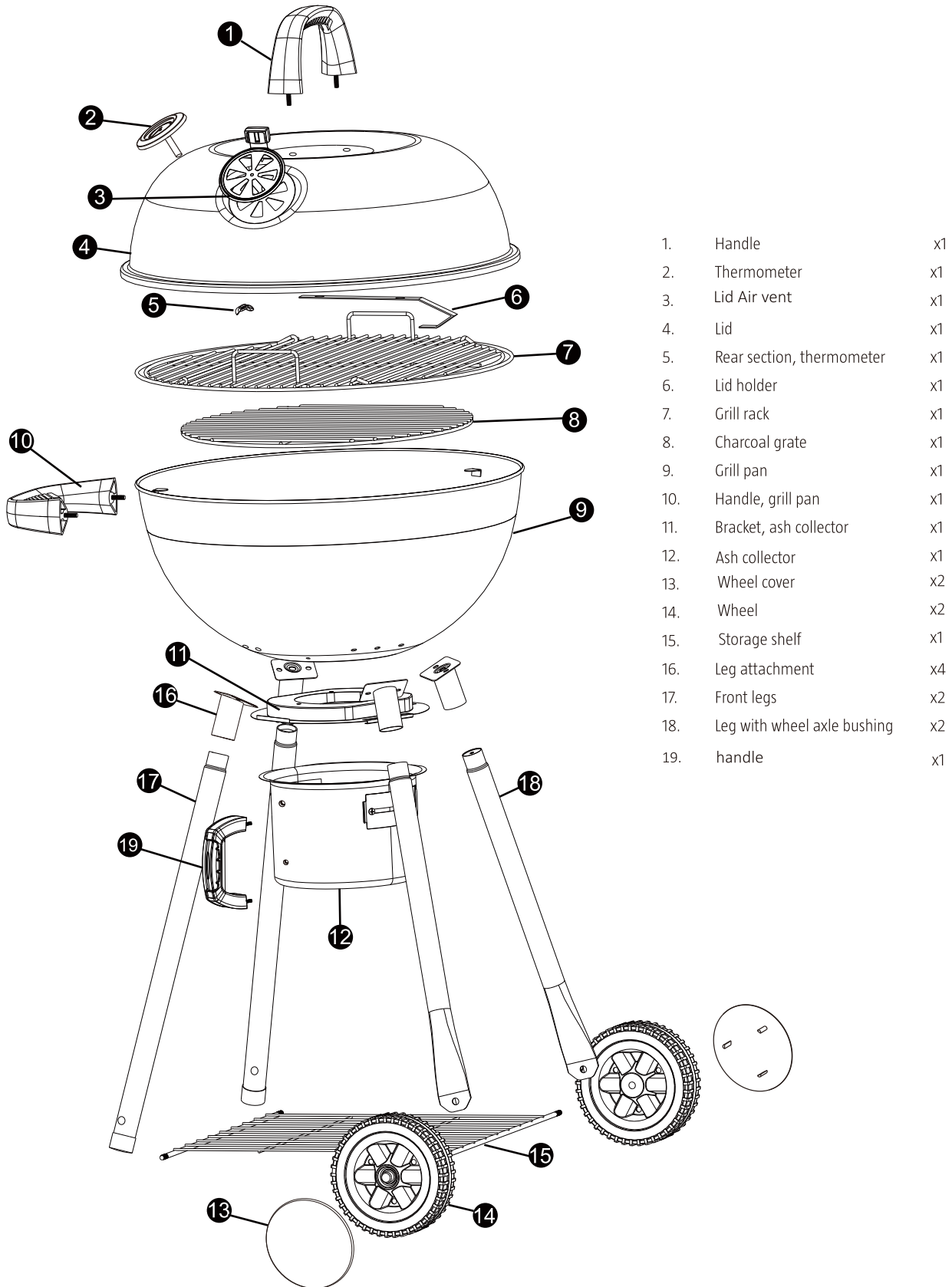
Do not move the product when in use. Allow the product to cool completely before transport and/or storage.

Always open the cover carefully and slowly. The heat and steam under the cover can cause burn injuries.

Place the product on a stable, non-combustible surface.










Do not empty the ashes until all embers have gone out completely.

## DESCRIPTION



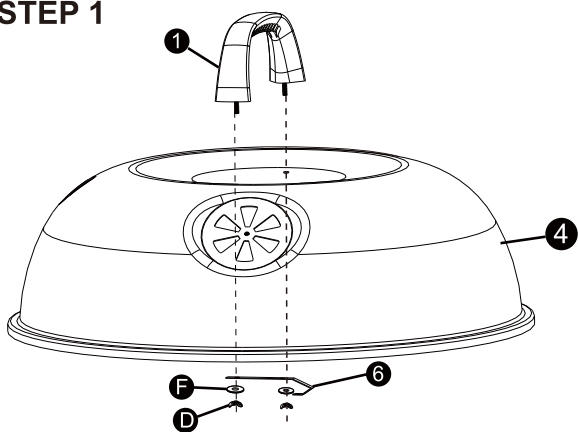
- |     |                             |    |
|-----|-----------------------------|----|
| 1.  | Handle                      | x1 |
| 2.  | Thermometer                 | x1 |
| 3.  | Lid Air vent                | x1 |
| 4.  | Lid                         | x1 |
| 5.  | Rear section, thermometer   | x1 |
| 6.  | Lid holder                  | x1 |
| 7.  | Grill rack                  | x1 |
| 8.  | Charcoal grate              | x1 |
| 9.  | Grill pan                   | x1 |
| 10. | Handle, grill pan           | x1 |
| 11. | Bracket, ash collector      | x1 |
| 12. | Ash collector               | x1 |
| 13. | Wheel cover                 | x2 |
| 14. | Wheel                       | x2 |
| 15. | Storage shelf               | x1 |
| 16. | Leg attachment              | x4 |
| 17. | Front legs                  | x2 |
| 18. | Leg with wheel axle bushing | x2 |
| 19. | handle                      | x1 |

**Assembly parts**

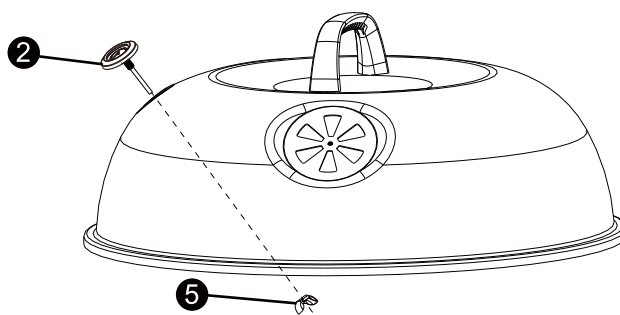
| Designation | Assembly parts            | Picture   | Quantity |
|-------------|---------------------------|---|----------|
| A           | Washer $\phi 6 \times 12$ |  | 2pcs     |
| B           | Bolt M6x12                |  | 8pcs     |
| C           | Bolt M5x12                |  | 4pcs     |
| D           | Wing nut M6               |  | 16pcs    |
| E           | Washer $\phi 6 \times 20$ |  | 4pcs     |
| F           | Washer $\phi 6 \times 16$ |  | 12pcs    |
| G           | Nut M10                   |  | 2pcs     |
| H           | Nut M5                    |  | 4pcs     |
| I           | Bolt M6x45                |  | 4pcs     |

**ASSEMBLY**

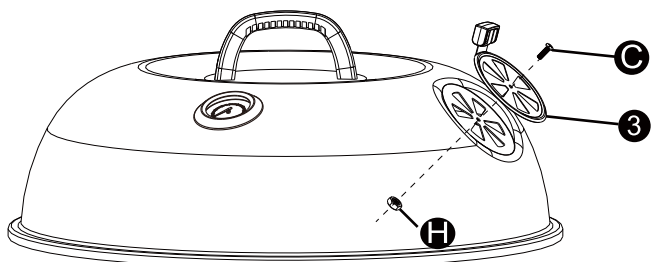
**STEP 1**



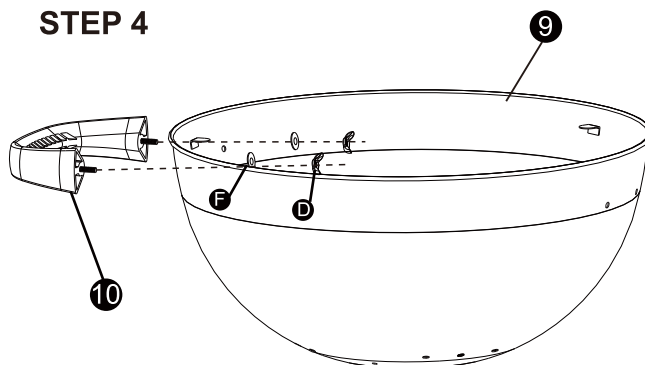
**STEP 2**



**STEP 3**

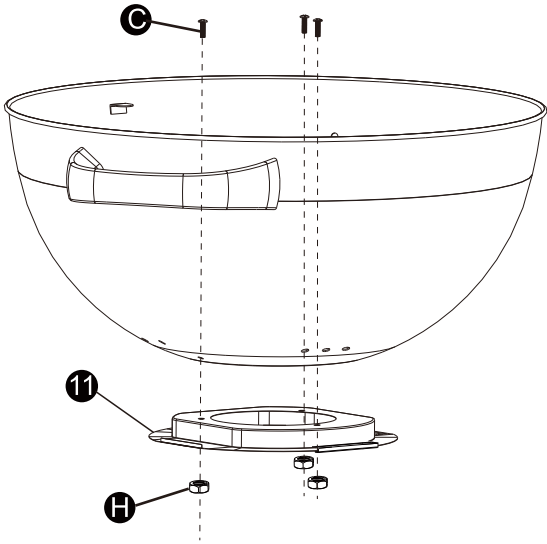


**STEP 4**

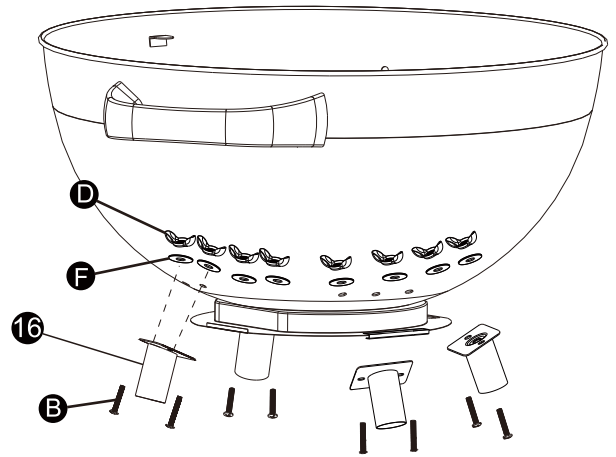




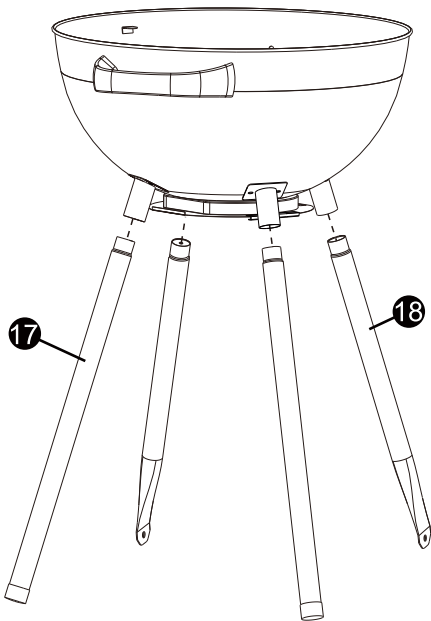
**STEP 5**



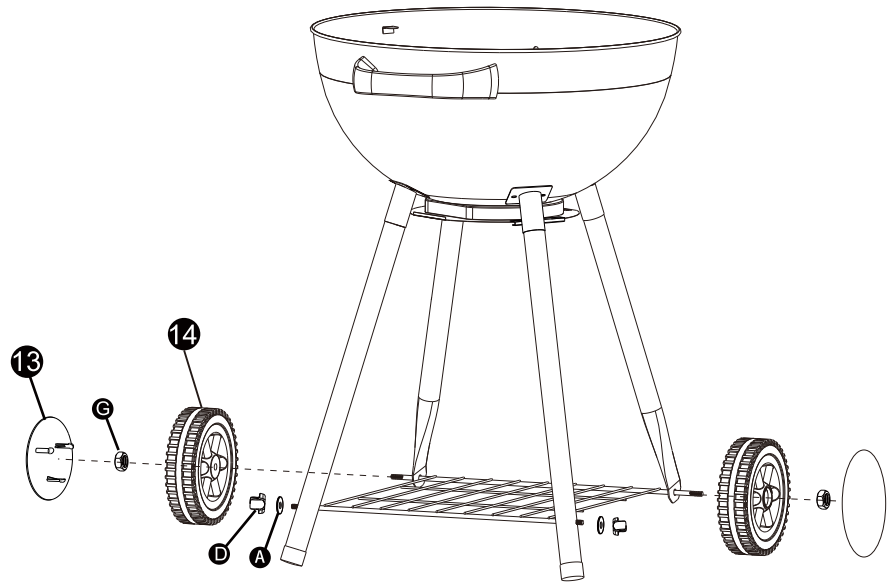
**STEP 6**



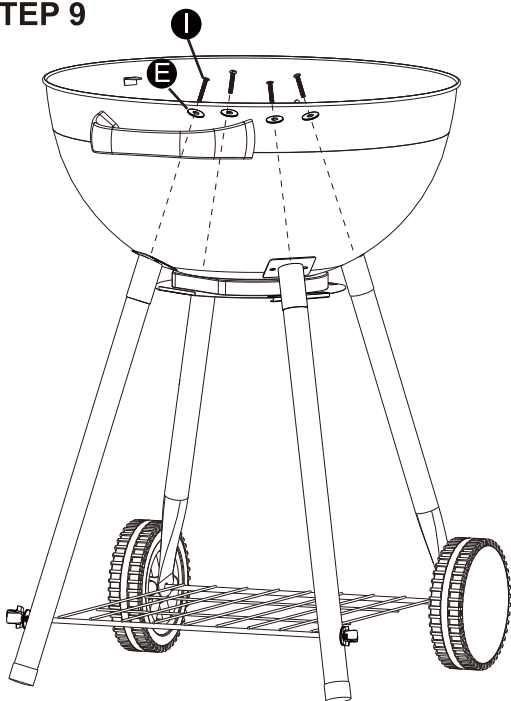
**STEP 7**



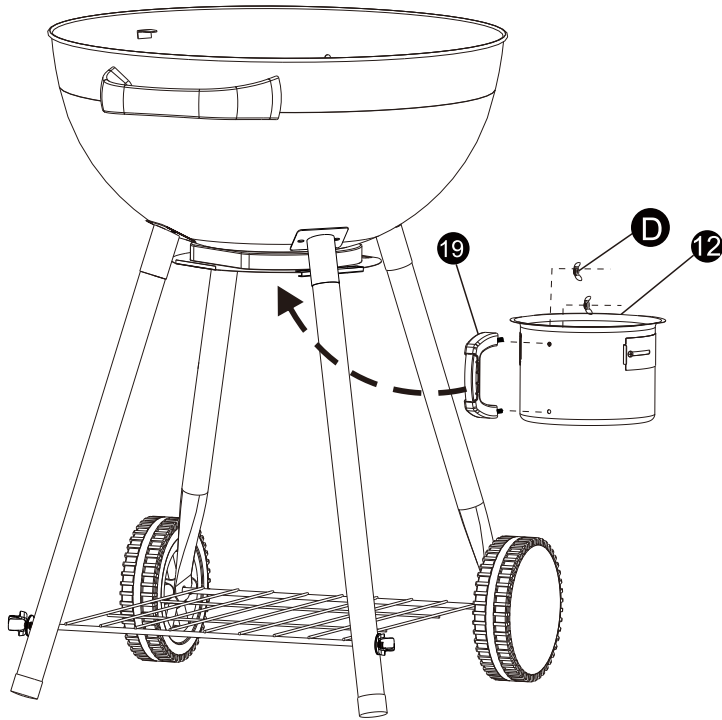
**STEP 8**



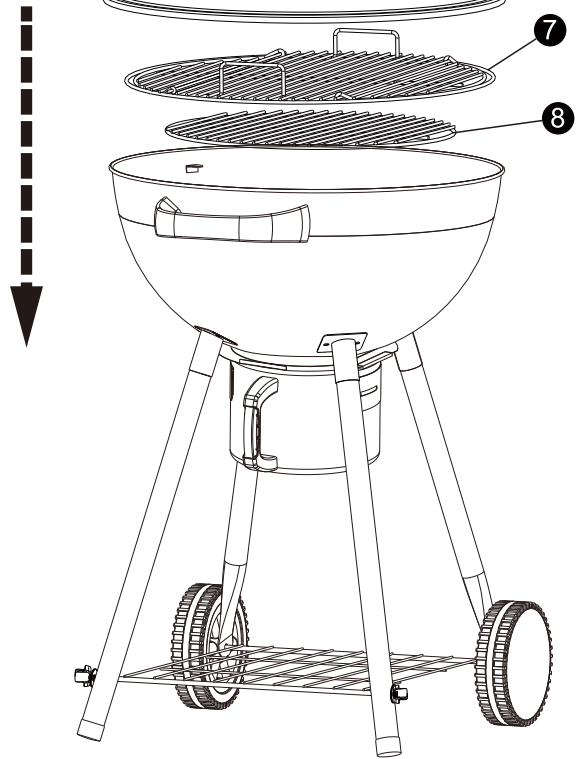
**STEP 9**



## STEP 10



## STEP 11



## USE

### WARNING:

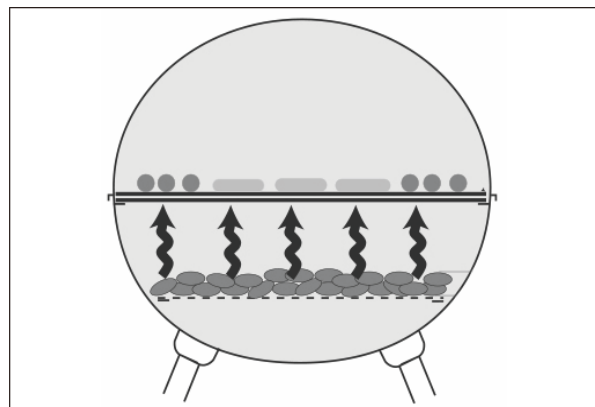
- The handle is only used to move the grill rack. Always remove it from the grill rack when the barbecue is lit.
- When the grill rack is hot, it can only be handled with the supplied handle.
- Never touch the grate with your hands when it is hot.
- Keep the handle away from the grill rack when the barbecue is lit.
- The product gets very hot. Never attempt to move it when lit. Do not use the product indoors.
- Do not use petrol or similar liquid to light or relight the barbecue.
- Keep children and pets at a safe distance.

### Lighting

1. Open the lid and valves.
2. Check that the ash collector is empty.
3. Remove the grill rack..
4. Arrange and light the fuel according to the instructions on the packet.

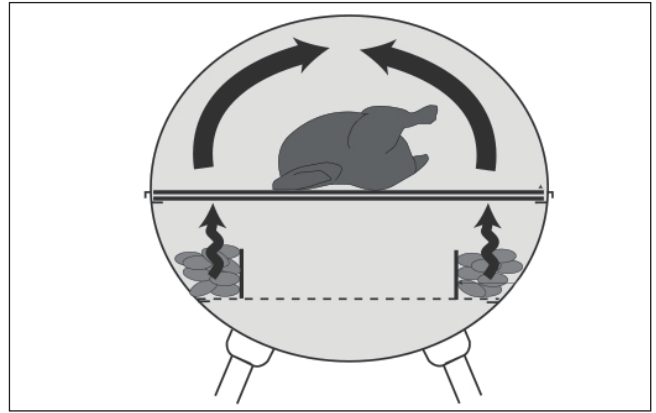
### Direct grilling

1. Wear protective gloves and carefully spread out the charcoal/ briquettes evenly using a long handled implement.
2. Gently refit the grill rack.
3. Place the food to be barbecued on the grill rack.
4. Barbecue with the lid open or closed.



### Indirect grilling

1. Store fuel in a watertight container, at a distance from ignition sources.
2. Use a chimney starter for quick and easy lighting.
3. Apply vegetable oil to the surfaces before barbecuing, to prevent the food from sticking.
4. Wrap vegetables and delicate foods in aluminium foil.
5. Clean the barbecue surfaces with a grill brush after each use.
6. Empty and dispose of the ash after each use.
7. Once the barbecue has cooled, cover it with appropriate protection.



---

## MAINTENANCE

### NOTE:

- Allow the product to cool completely before cleaning and/or maintenance.
- Never clean any parts of the product in a self-cleaning oven. The high temperatures will damage the surface.
- Do not use abrasive detergents.
- Do not use oven cleaners on any part of the product.

### Cleaning

- Wipe of the surfaces with a cloth moistened with a mild detergent.
- Stubborn stains can be cleaned using a plastic dish brush, warm water and a little detergent.
- Rinse with clean water.