

ASSEMBLY INSTRUCTIONS

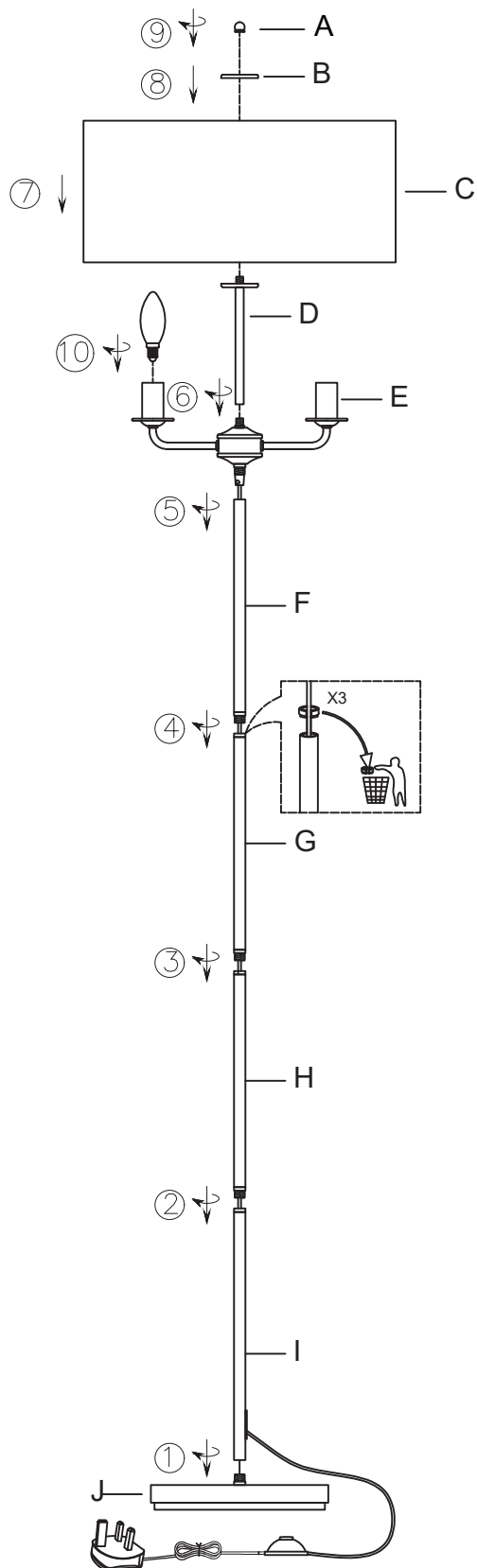
Remove plastic tubes from the metal tube.

IMPORTANT NOTICE:

Keep away from babies and children

Item NO.:154179

FARO FLOOR LAMP



- 1 . Screw the metal tube I into metal base J, ensure it's fully tightened.
- 2 . Screw the metal tube H into metal tube I, ensure it's fully tightened.
- 3 . Screw the metal tube G into metal tube H, ensure it's fully tightened.
- 4 . Screw the metal tube F into metal tube G, ensure it's fully tightened.
- 5 . Screw the lampholder E into metal tube F, ensure it's fully tightened.
- 6 . Screw the tube D into the lampholder E, ensure it's fully tightened.
- 7 . Put lamp shade C onto the tube D.
- 8 . Put metal cover onto the tube D, on the shade.
- 9 . Secure the shade and metal cover with ball nut A.
- 10 . Screw the bulb (not included) into the lampholder.

COMPONENT LIST

A. Ball nut	x1
B. Metal cover	x1
C. Lamp shade	x1
D. Metal tube	x1
E. E14 Lampholder	x3
F. Metal tube	x1
G. Metal tube	x1
H. Metal tube	x1
I . Metal tube	x1
J . Metal base	x1

3 x SES MAX 28W CANDLE / 6W LED

