

# ASSEMBLY INSTRUCTIONS

Remove plastic tubes from the metal tube.

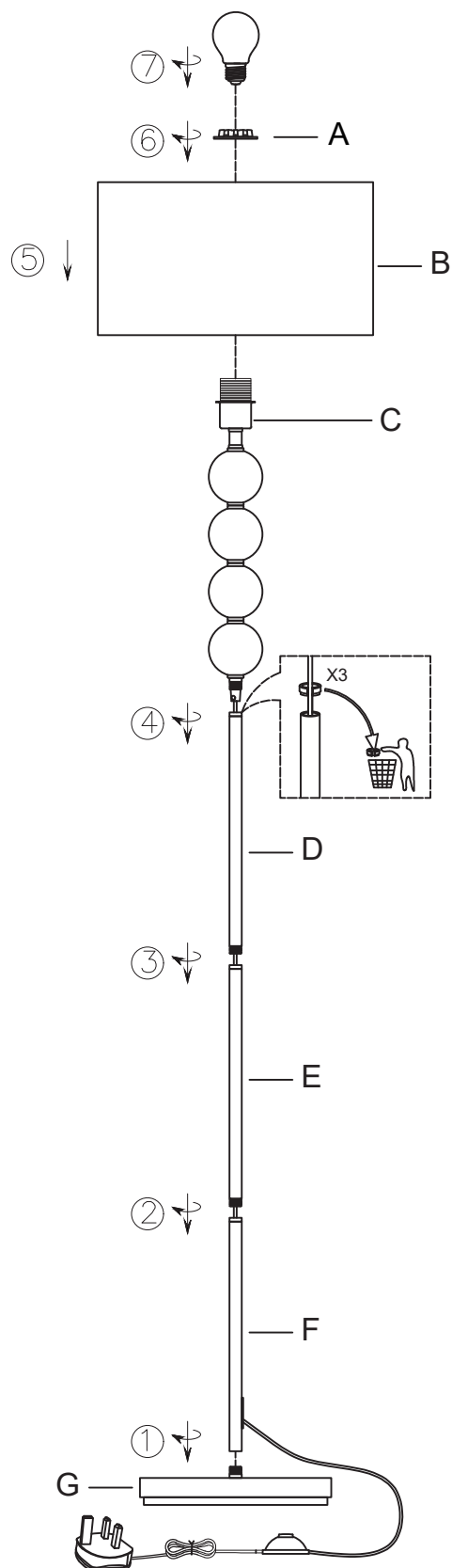
**IMPORTANT NOTICE:**

Keep away from babies and children

Item NO.:154073

TARA FLOOR LAMP

- 1 . Screw the metal tube F into metal base G, ensure it's fully tightened.
- 2 . Screw the metal tube E into metal tube F, ensure it's fully tightened.
- 3 . Screw the metal tube D into metal tube E, ensure it's fully tightened.
- 4 . Screw the lampholder tube C into metal tube D, ensure it's fully tightened.
- 5 . Put lamp shade B onto the lampholder C.
- 6 . Secure the shade with lampholder plastic ring A.
- 7 . Screw the bulb (not included) into the lampholder.



## COMPONENT LIST

|   |    |
|---|----|
| A. Lampholder plastic ring              | x1 |
| B. Lamp shade                           | x1 |
| C. E27 lampholder with glass balls tube | x1 |
| D. Metal tube                           | x1 |
| E. Metal tube                           | x1 |
| F. Metal tube                           | x1 |
| G. Metal base                           | x1 |

ES MAX 42W HALOGEN / 10W LED

