

ASSEMBLY INSTRUCTION

PALOMA 3 PIECE RATTAN BISTRO SET



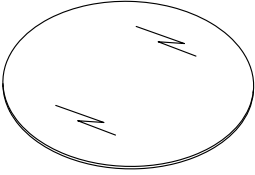
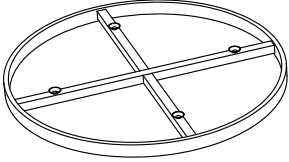
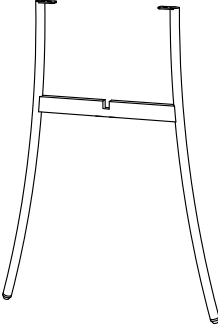
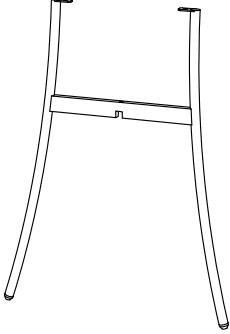
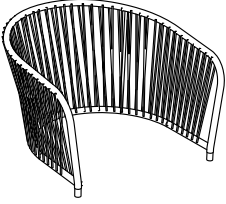
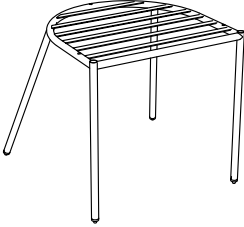
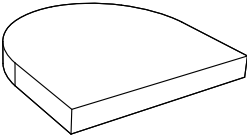
PLU: 155658

PLU: 155659

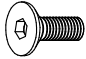
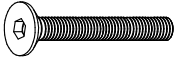
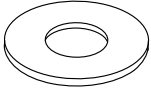
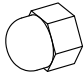
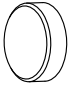
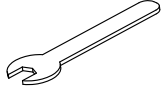

Notice :

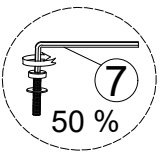
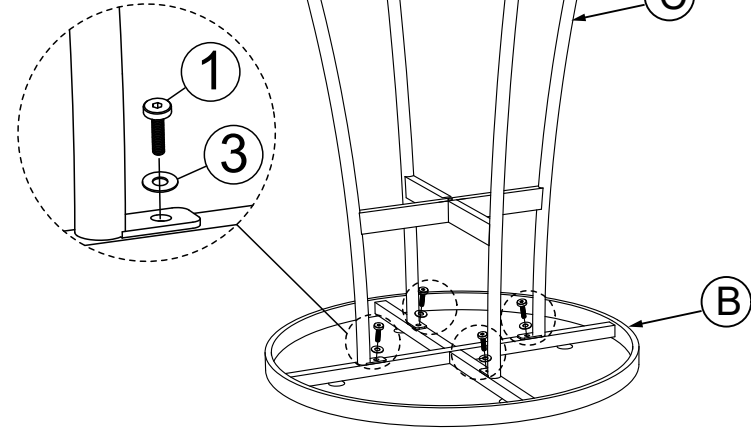
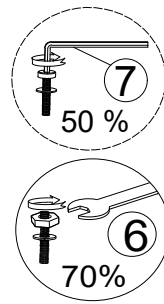
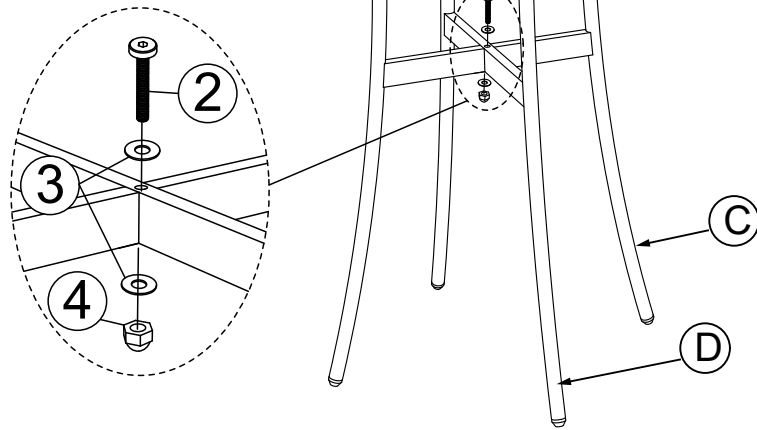
1. 50% Tighten before fixing all screws, Allen wrench is recommended instead of an electric drill.
2. Place the item on a flat ground to adjust and make sure it remains stable.
3. Tighten up all screws with tools gradually.
4. If the screws are not aligned with holes during assembly, please loosen all the other screws to 50% and continue the assembly process.
5. If the item is not stable, please loosen all the screws, adjust it on a flat ground and tighten up all screws again.
6. Note : If one or some screws are fully tightened during assembly, chances are the others will not be aligned with holes. In addition, all the holes are designed to be relatively larger to provide more space for the adjustment of the screws.

Part List :

<p>(A) x 1</p>  <p>Glass Top</p>	<p>(B) x 1</p>  <p>Top Table</p>	<p>(C) x 1</p>  <p>Leg Table 1</p>	<p>(D) x 1</p>  <p>Leg Table 2</p>
<p>(E) x 2</p>  <p>Chair Back</p>	<p>(F) x 2</p>  <p>Chair Leg</p>	<p>(G) x 2</p>  <p>Seat Cushion</p>	

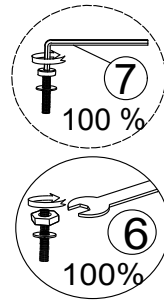
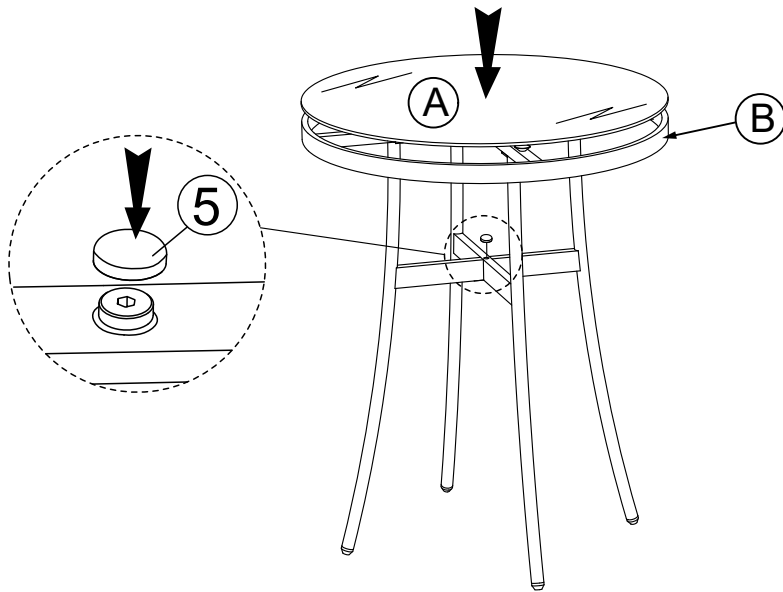
Hardware :

<p>(1) x 4 Extra (1 pc)</p>  <p>Bolt M6*15</p>	<p>(2) x 7 Extra (1 pc)</p>  <p>Bolt M6*40</p>	<p>(3) x 12 Extra (2 pcs)</p>  <p>M6x16x1mm</p>	<p>(4) x 1 Extra (1 pc)</p>  <p>Nut M6</p>
<p>(5) x 1 Extra (1 pc)</p>  <p>Cover Bolt</p>	<p>(6) x 1</p>  <p>Key</p>	<p>(7) x 1</p>  <p>Allen Key</p>	

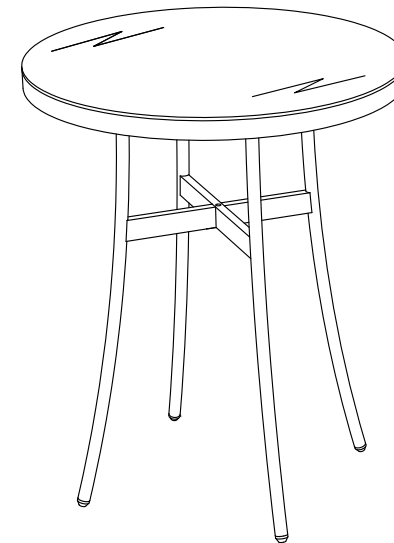


STEP 1: Connect Table Leg 1 (C) & Table Leg 2 (D), tighten Bolt (2) flat washer (3), Nut M6 (4), Key (6) with Allen Key (7).

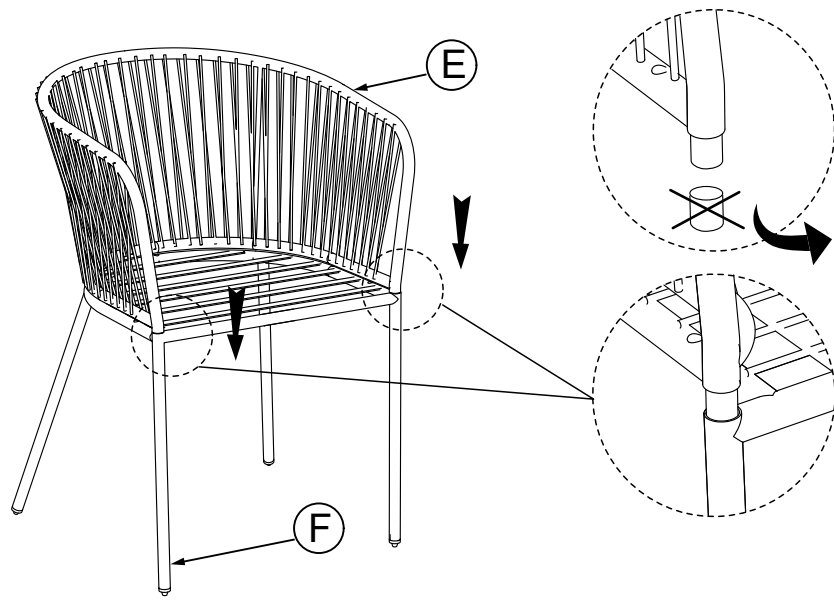
STEP 2: Connect the part from step 1 & Table Top (B), tighten Bolt (1) flat washer (3), with Allen Key (7).



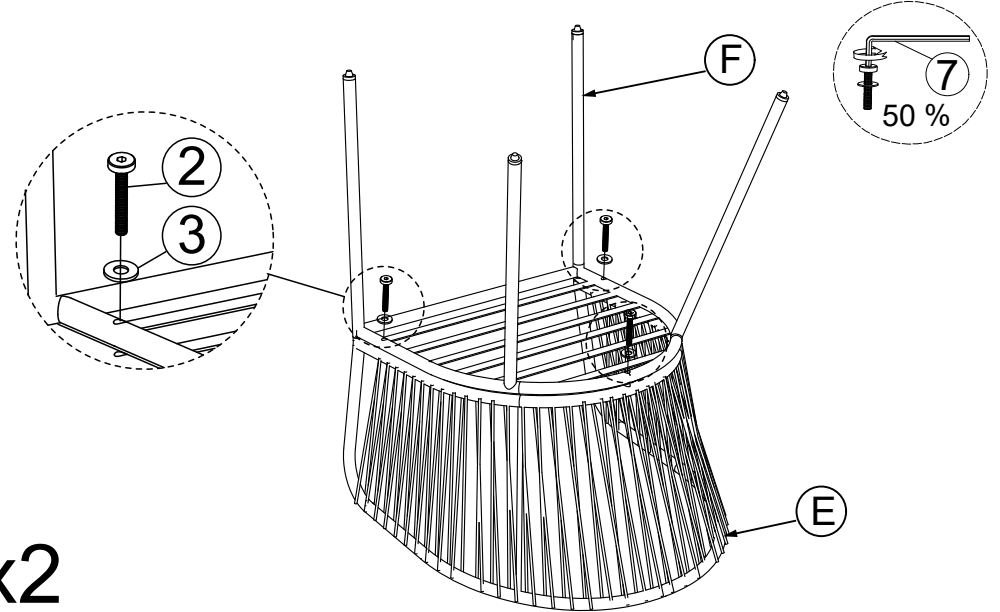
STEP 3: Firmly, tighten Bolts with Allen Key (7), Key (6).
Put the Table upright. Set Glass Top & Cover Bolt (5) to finish Table



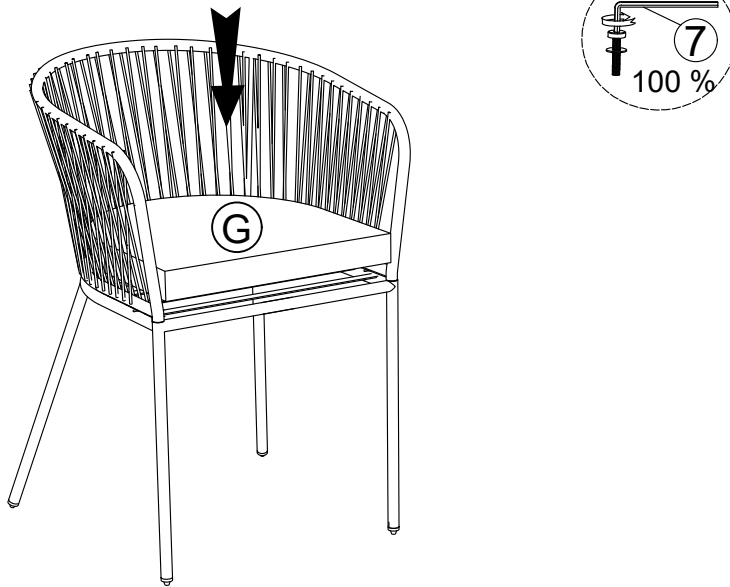
Finish Table



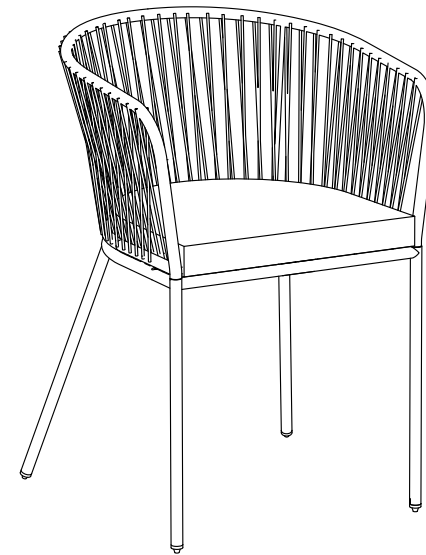
STEP 4: Connect Chair Back (E) & Chair Leg (F) by hand



STEP 5: Connect the part from step 4, tighten Bolt (2) flat washer (3), with Allen Key (7).



STEP 6: Firmly, tighten Bolts with Allen Key (9). Put the Table upright.
Set Cushion (G) to finish Chair



Finish Chair



STEP 7: Finish the set.