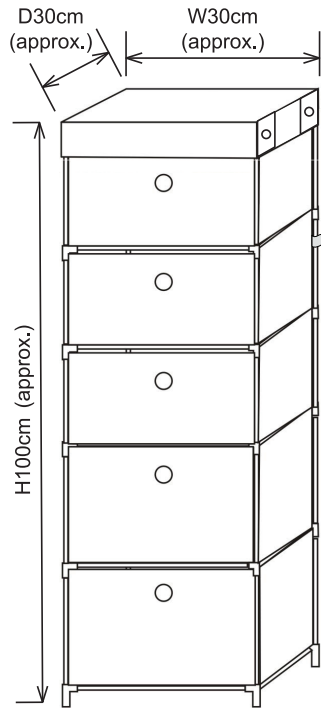
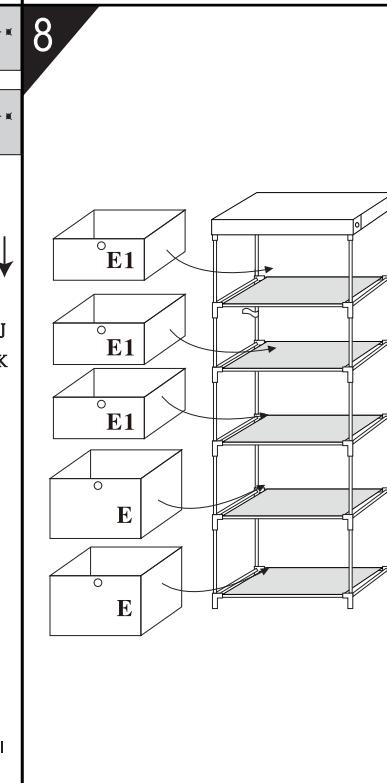
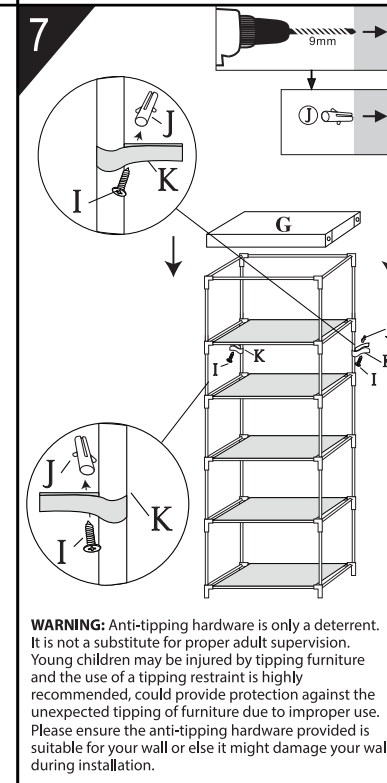
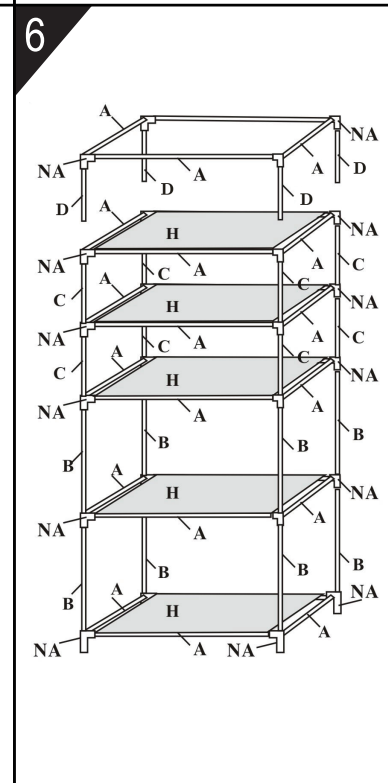
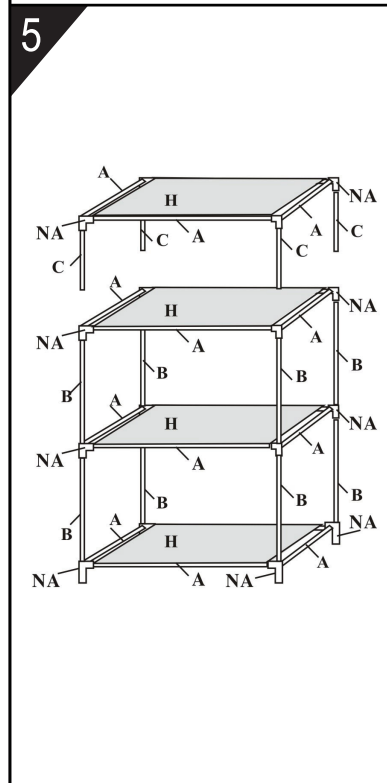
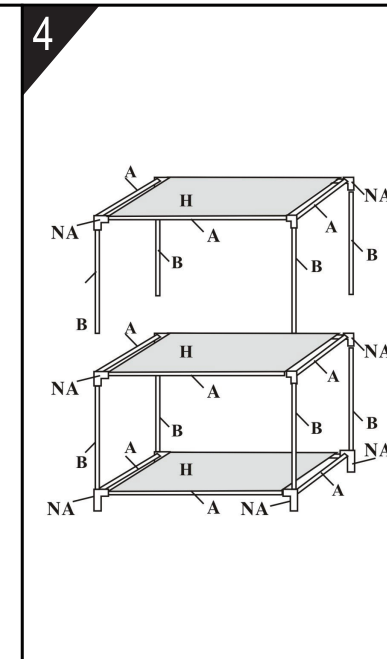
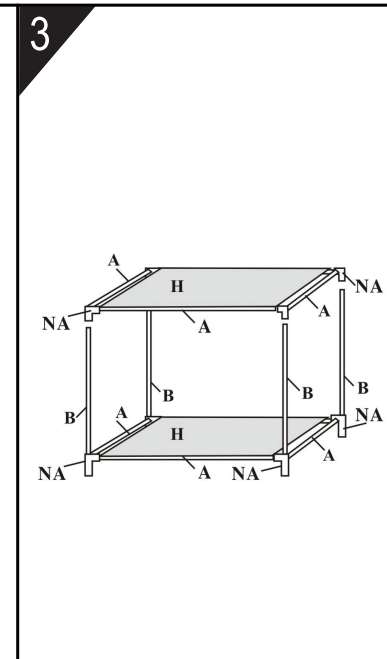
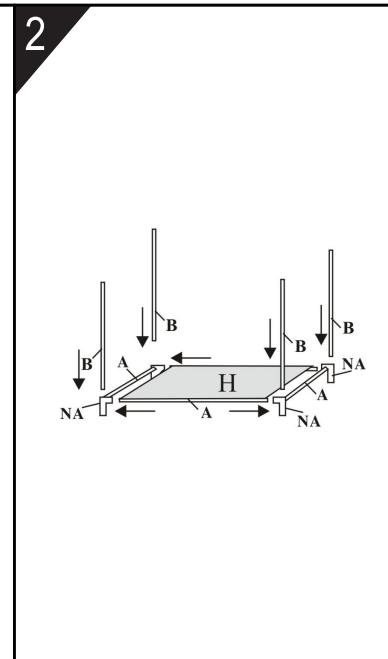
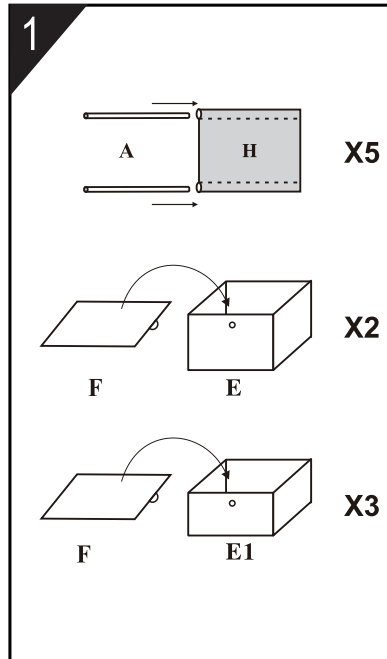


5 DRAWER WIDE CHARCOAL Storage Unit

ITEM CODE: 138085
Assembly Instructions



NA		X24
A		X24
B		X8
C		X8
D		X4
E		X2
E1		X3
F		X5
G		X1
H		X5
I		8x30mm X2
J		X2
K		X2



CAUTION! Do not leave children unsupervised!
The product is not a climbing frame or a toy!
Make sure that this product is standing on a solid, level surface. Make sure that nobody, especially a child, climbs on or leans against the product.
Distribute weight upon this products' surface evenly so that it cannot overturn. Check that the product is stable before using it.
Do not lift the product and do not move it when it is loaded. Make sure that all fixings are secure before use.
Do not overload.
Care and Cleaning: Wipe clean with a damp cloth.

WARNING: Anti-tipping hardware is only a deterrent. It is not a substitute for proper adult supervision. Young children may be injured by tipping furniture and the use of a tipping restraint is highly recommended, could provide protection against the unexpected tipping of furniture due to improper use. Please ensure the anti-tipping hardware provided is suitable for your wall or else it might damage your wall during installation.

Domestic use only
Max.Loading: 10kg

MADE IN CHINA

