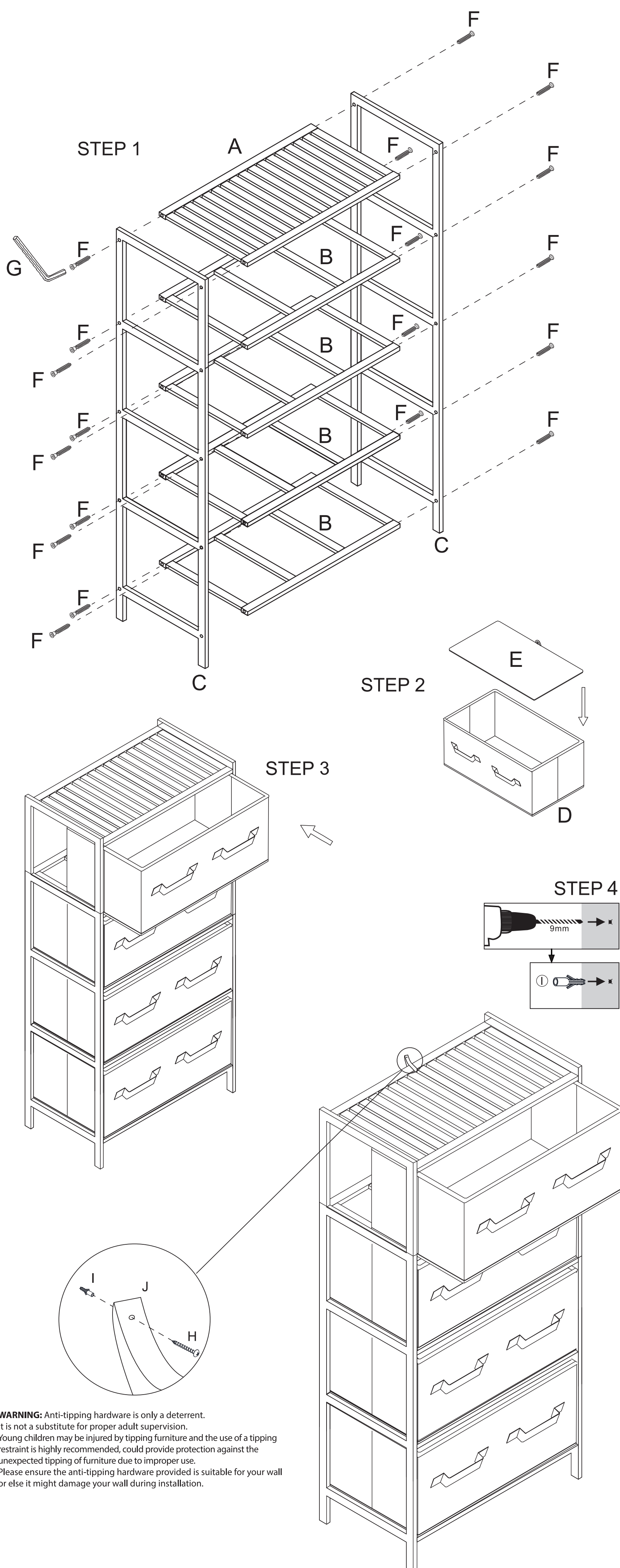
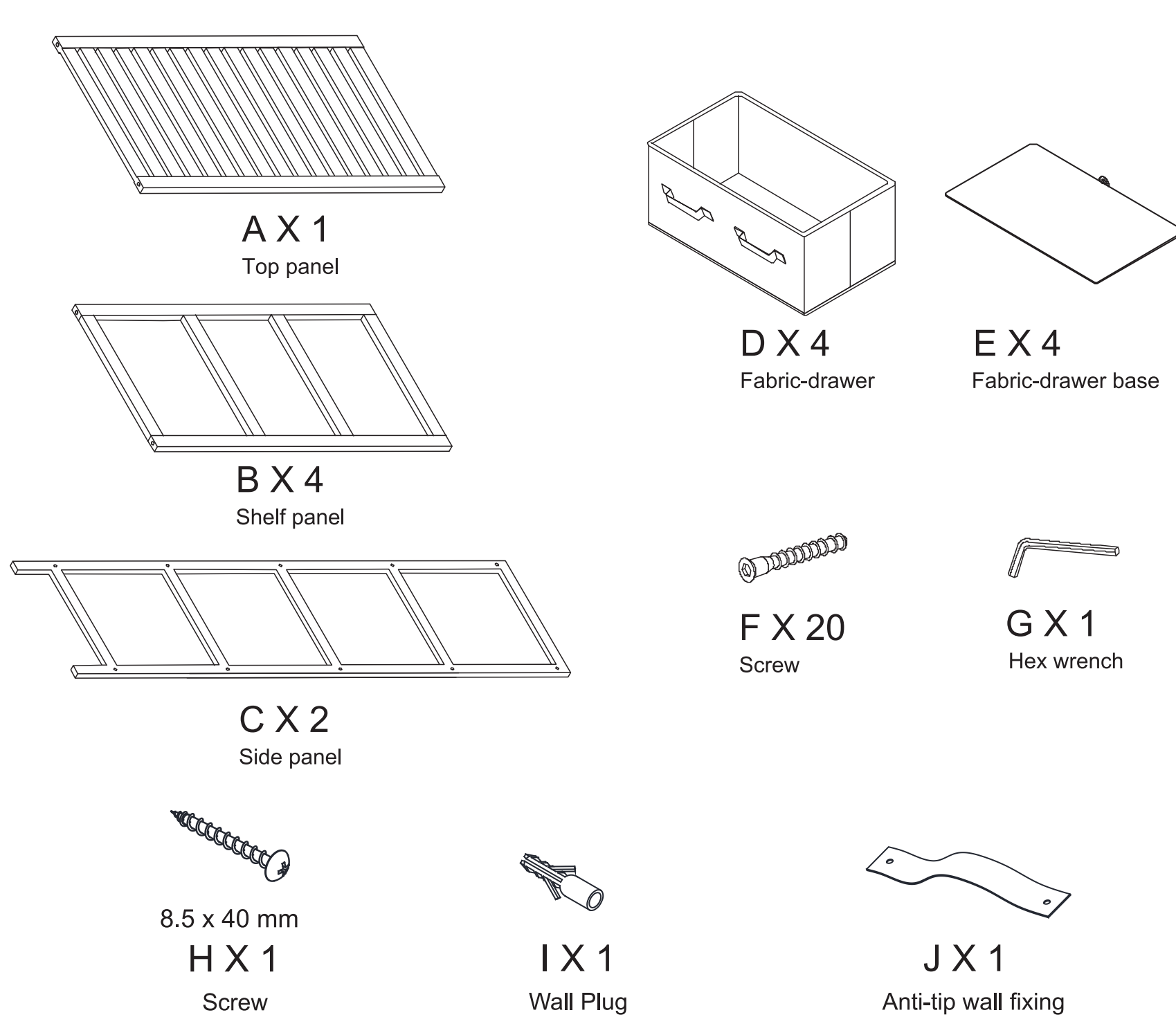


FURNITURE forma

4 Drawer Wide White Chest

ITEM CODE: 138082
Assembly instruction



WARNING: Anti-tipping hardware is only a deterrent. It is not a substitute for proper adult supervision. Young children may be injured by tipping furniture and the use of a tipping restraint is highly recommended, could provide protection against the unexpected tipping of furniture due to improper use. Please ensure the anti-tipping hardware provided is suitable for your wall or else it might damage your wall during installation.

WARNING! Keep away from fire. Periodically ensure all the screws and fixings are secure and the item is stable. Make sure that this product is standing on a solid level surface. Distribute weight upon this product's surface evenly so that it cannot overturn. Do not lift the product and do not move it when it is loaded. Care and cleaning: Wipe clean with dry cloth. Do not use abrasives, solvents and bleach products. Please read this instructions carefully and retain it for future reference.