






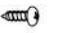


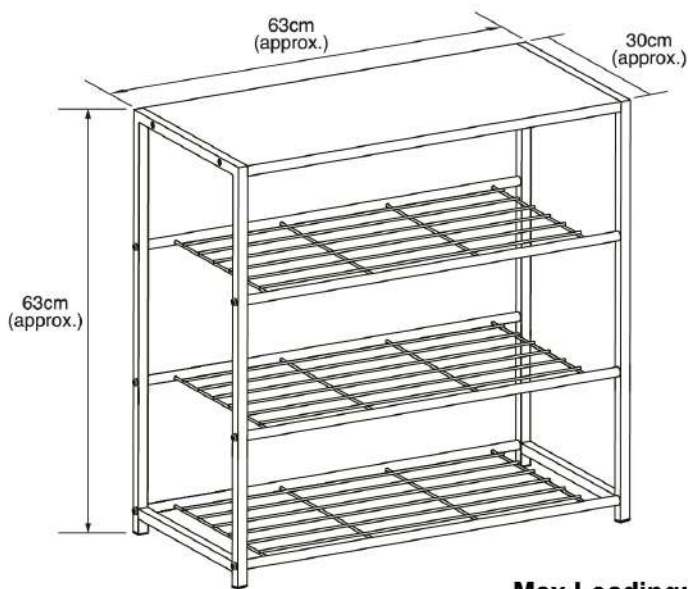
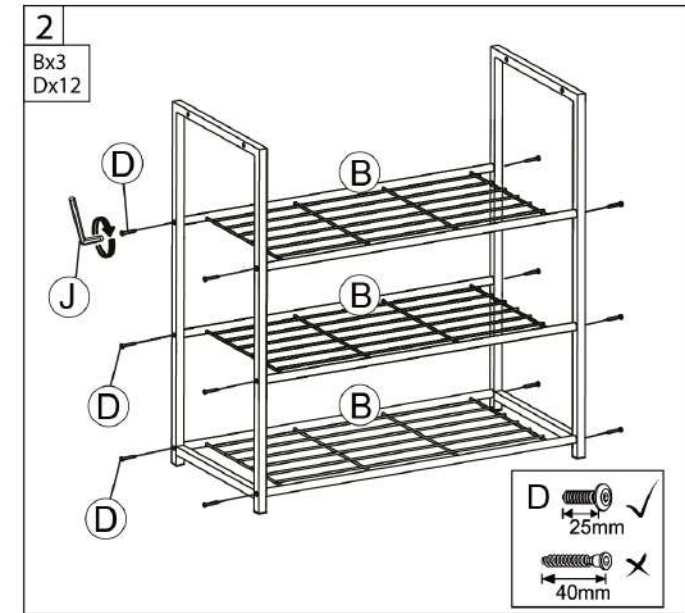
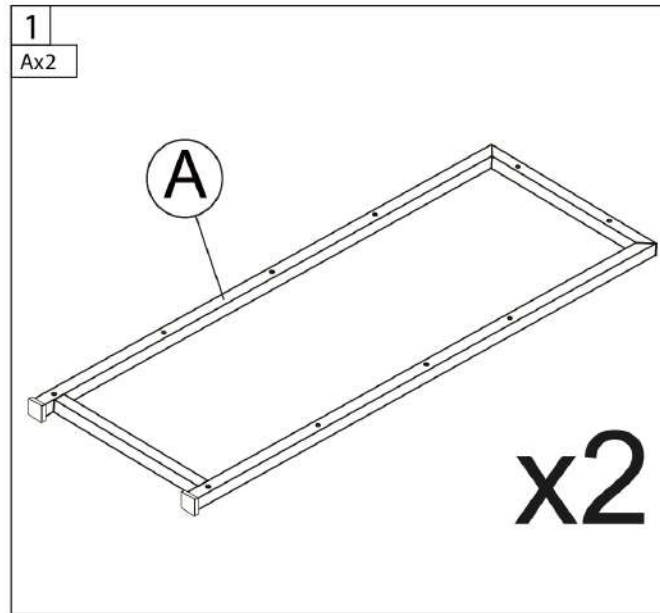


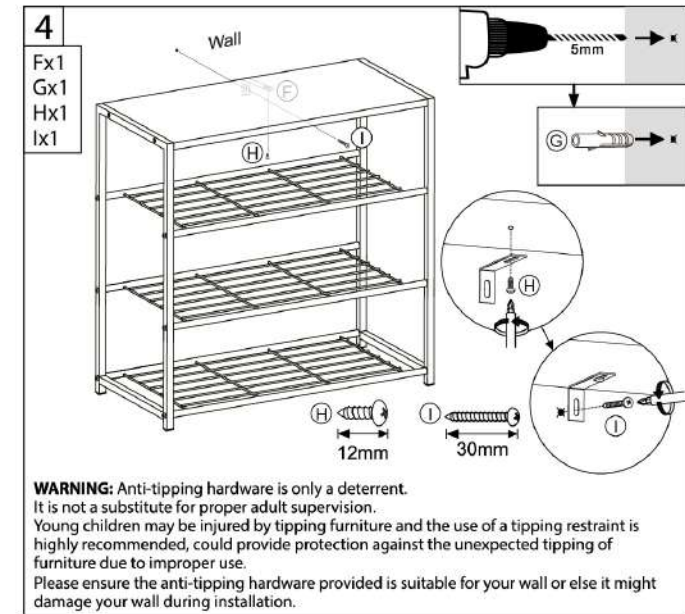
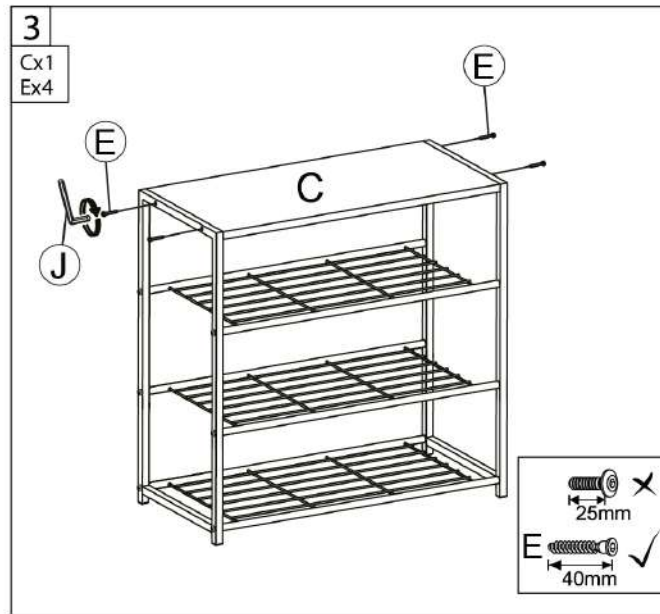
MANHATTAN 4 TIER MULTI PURPOSE STORAGE SHELF

PLU-138073 Assembly Instructions

			
A x2	B x3	C x1	
			
M6x25mm D x12	6.3x40mm E x4	F x1	
			
G x1	St 4.2x12mm H x1	St 4.2x30mm I x1	J x1



Max Loading: 10kg



Domestic use only.

OGALAS ULC
UNIT 4 PARKWAY HOUSE
BALLYMOUNT DRIVE
DUBLIN, D12 ECR9
MADE IN CHINA



CAUTION! Do not leave children unsupervised! The product is not a climbing frame or a toy! Make sure that this product is standing on a solid, level surface. Make sure that nobody, especially a child, climbs on or leans against the product. Distribute weight upon this products' surface evenly so that it cannot overturn. Check that the product is stable before using it. Do not lift the product and do not move it when it is loaded. Make sure that all fixings are secure before use. Care and Cleaning: Wipe clean with a damp cloth.