

ASSEMBLY INSTRUCTIONS

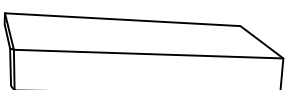
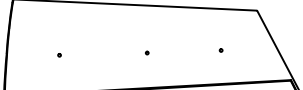
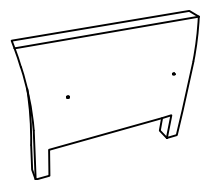
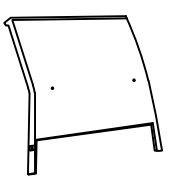
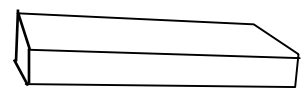
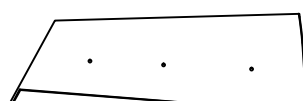
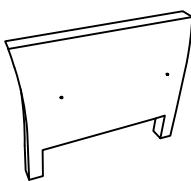
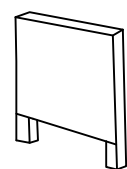
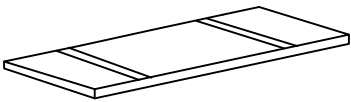
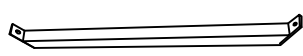
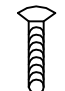
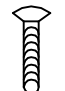
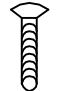
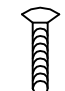
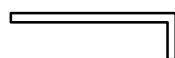
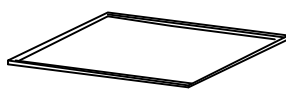
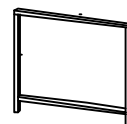
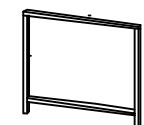
COM FLORENCE CORNER SOFA SET (122362/122363 & 122675/122676)

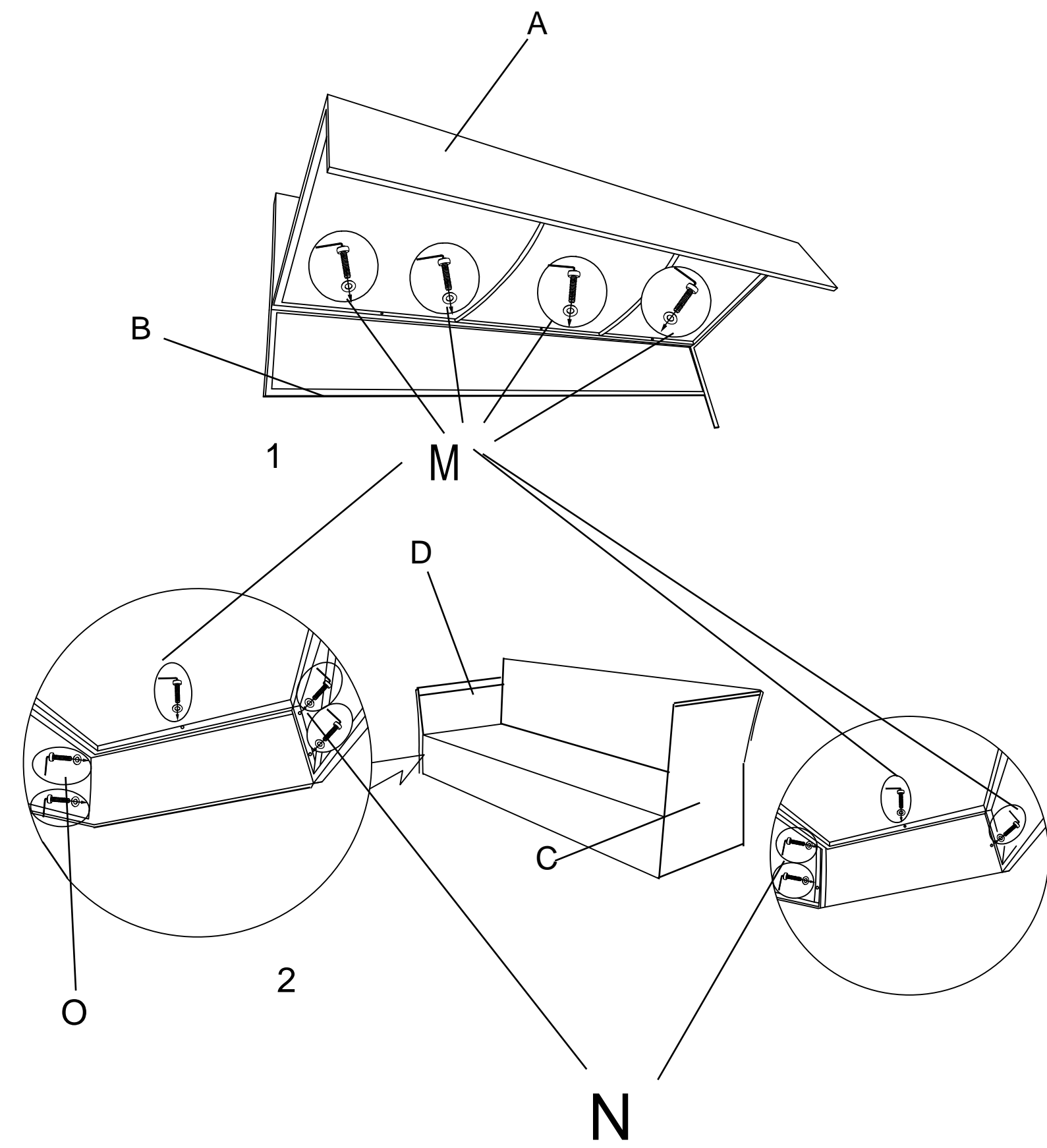
PARTS AND HARDWARE

Avoid using sharp objects such as a knife to cut open packing as you may accidentally damage the upholstery.

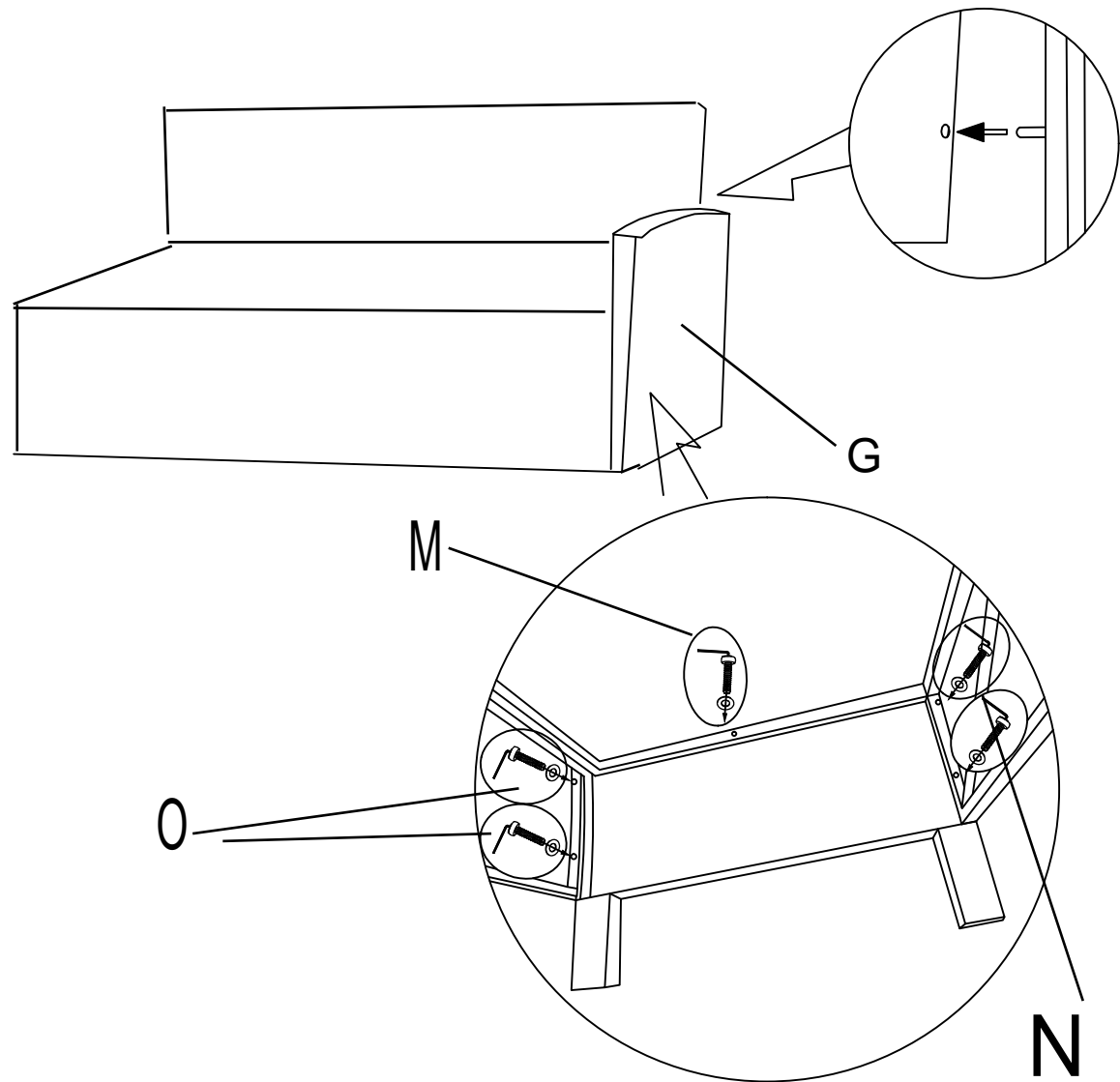
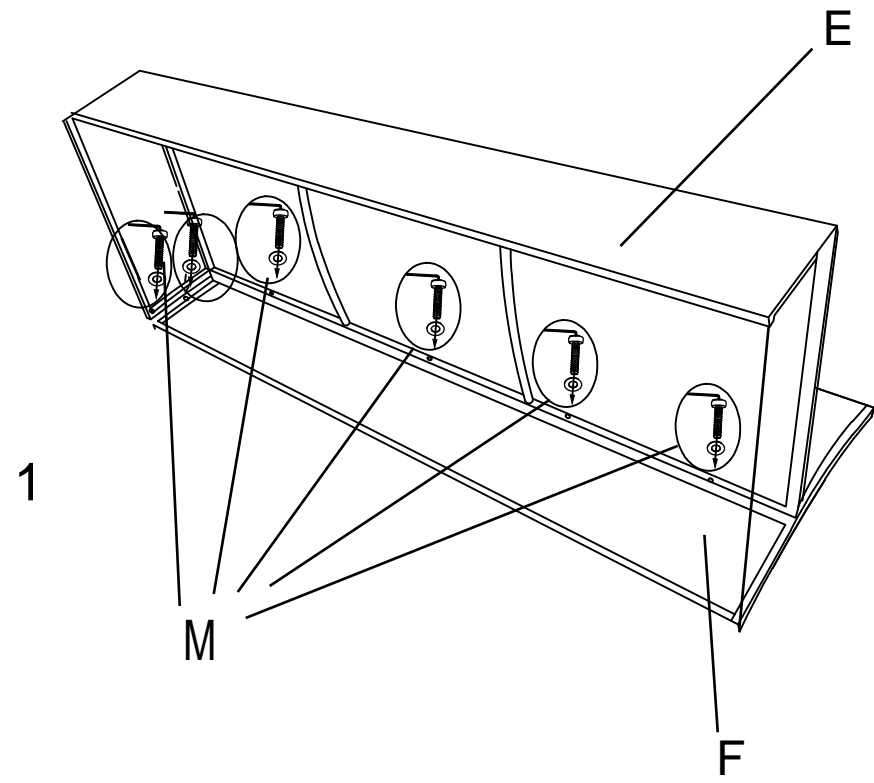
Do not fully tighten bolts until assembly is complete.

3seat corner sofa

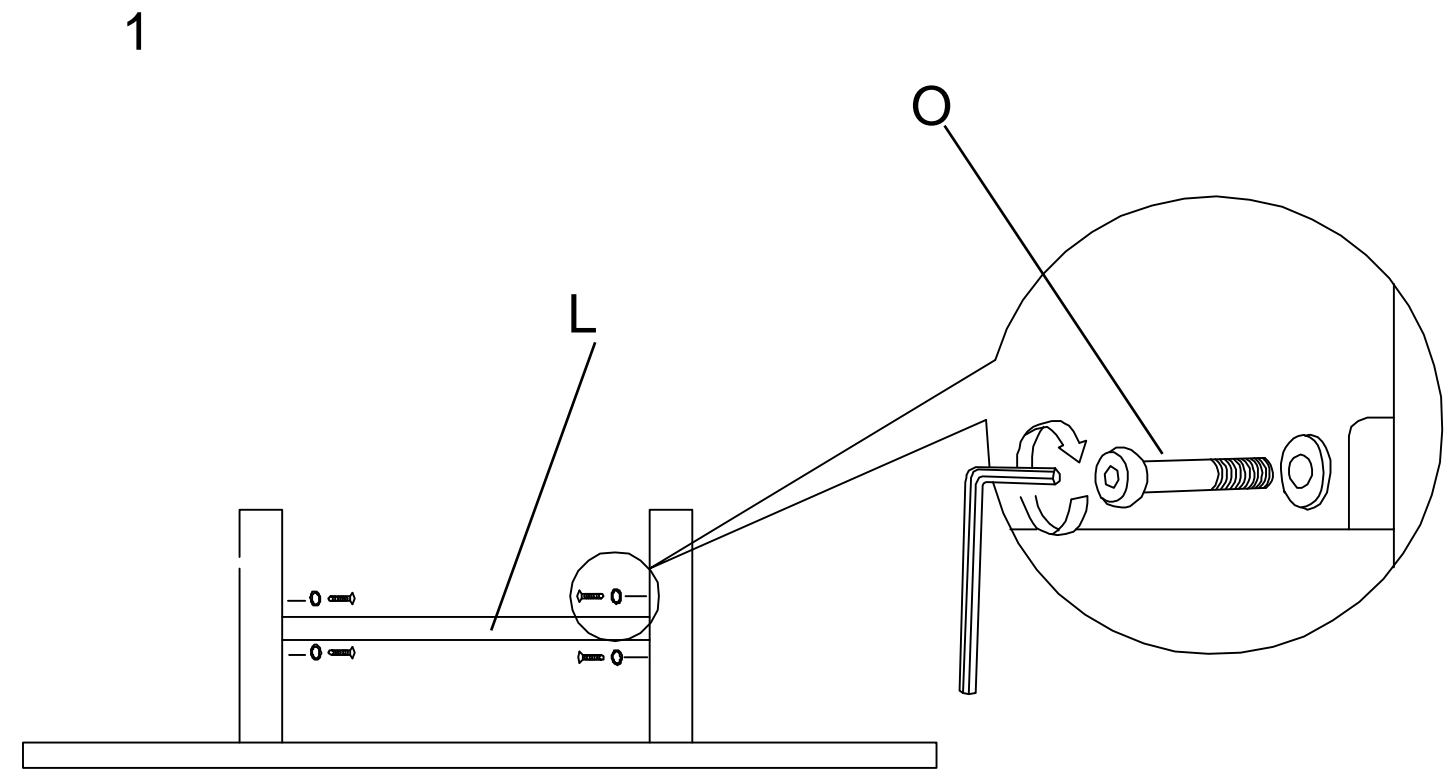
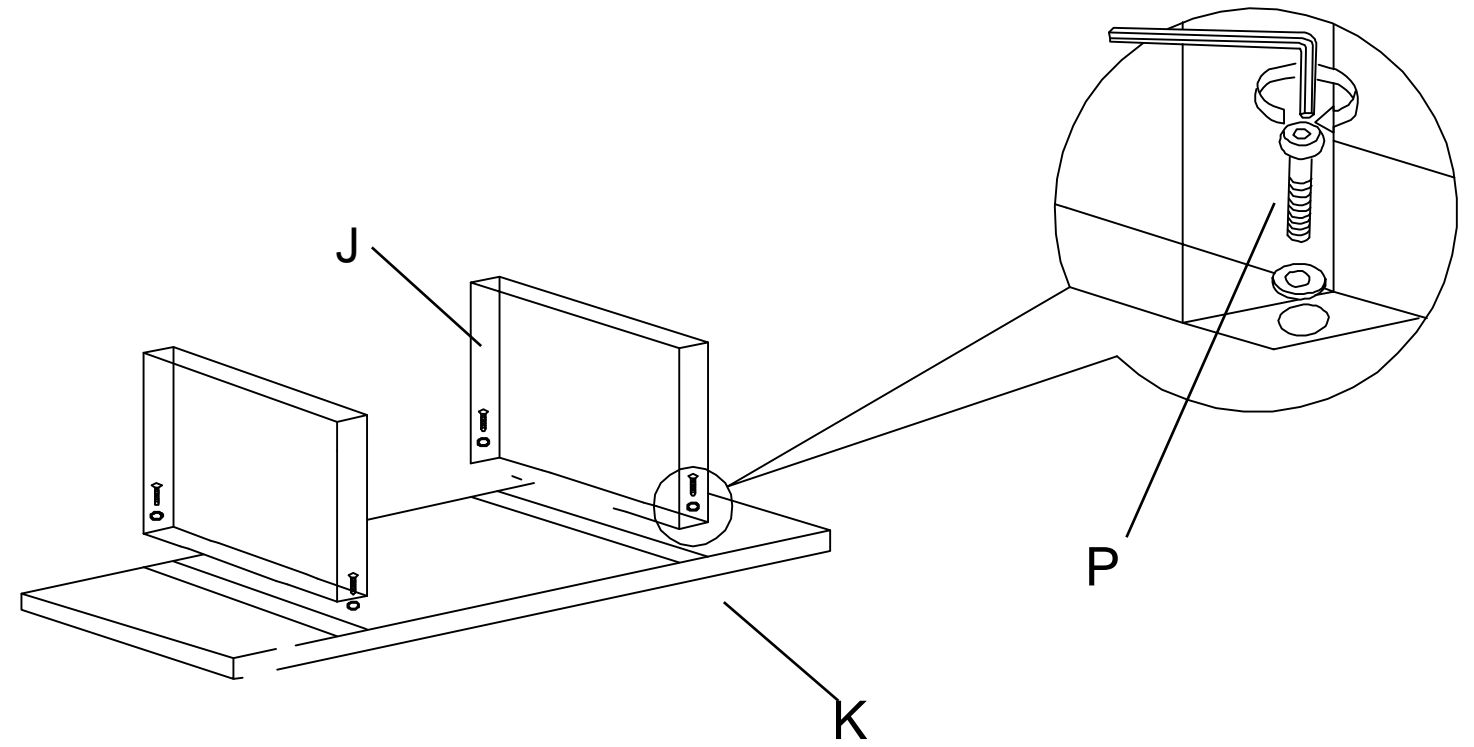
- | | | |
|-------------------------------------------------------------------------------------|-------------------------------------------------------------------------------------|--------------------------------------------------------------------------------------|
|  |  |  |
| A.1x | B.1x | C.1x |
|  |  |  |
| D.1x | E.1x | F.1x |
|  |  |  |
| G.1x | J.2x | K.1x |
|  |  |  |
| L.1x | M.14x
M6X40mm | N.30x
M6X35mm |
|  |  |  |
| O.8x
M6X30mm | P.4x
M6X20mm | Q.1x |
|  |  |  |
| R.2x | S.4x | T.4x |



3seat sofa



Dining table



Stool

